

# INSTALLATION INSTRUCTIONS

Effective April 1, 2013

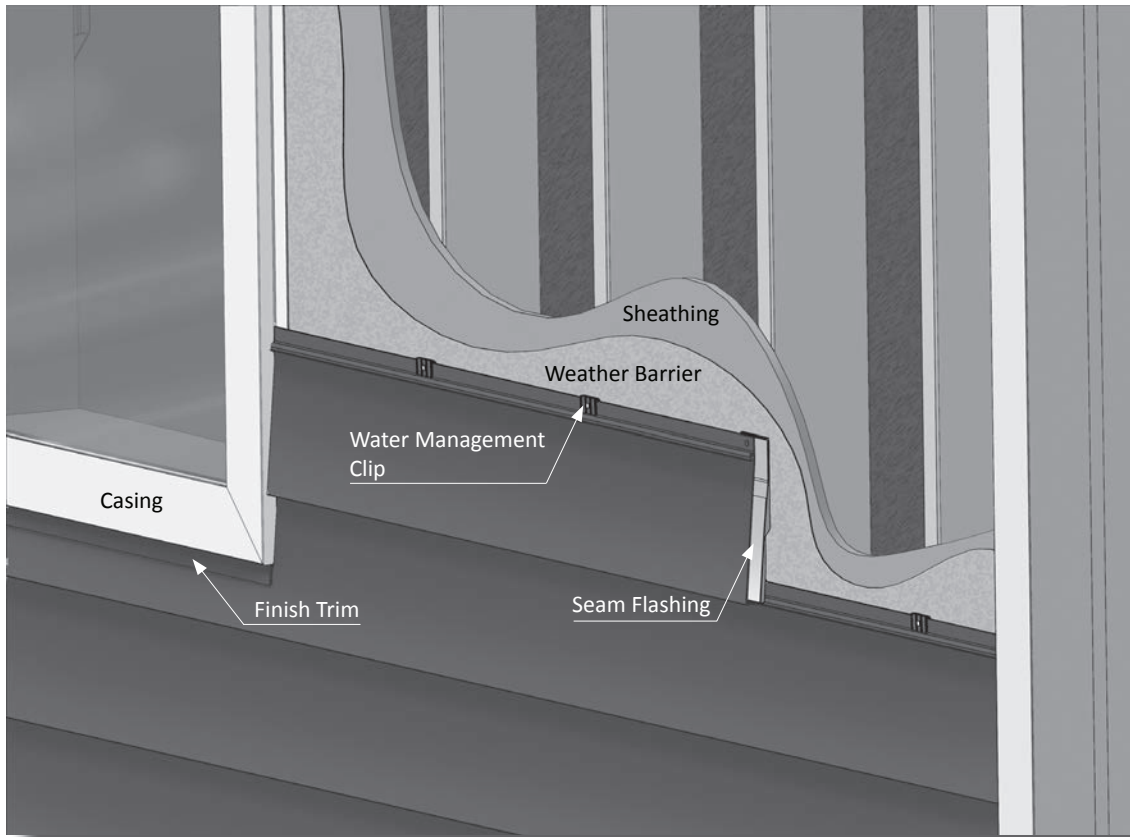


# APEX<sup>®</sup>

ULTREX<sup>®</sup> SIDING SYSTEM

<b>Table of Contents</b>	
--------------------------	--

Before you Begin	Ensuring System Performance	1
	Components	2
	Frequently Asked Questions	3
	List of Tools	3
	Preparation	3
	Quality Tips	4
	Cold Weather Tips	4
	Cleaning	4
	Water Management System	5
	Cutting & Fastening	5
Trim Installation	Trim, Casings, Corners & Caps	6
	Alignment Keys & Trim	6
	Edge Trim	6
Siding Installation	Starter Strip & Stud Marking	7
	Installing the First Lap	7
	Seam Flashing	8
	Installing Siding Around Windows & Doors	8
	Installing the Final Lap	9
	Installation Over Rigid Foam Board	9
Miscellaneous	Individual Outside Corners & Gables	9
	Simple Frieze Applications	10



APEX's manufacturing facility maintains ISO 9001:2008 certification for quality management standards that foster consistent, high quality products and services.

APEX Siding is ICC: ESR - 2806 certified for compliance with the 2006 International Building Code® (IBC) and 2006 International Residential Code® (IRC). Visit [www.icc-es.org](http://www.icc-es.org) for more information.

1. APEX® siding and trim products must be lifted out of the box. Do not slide out of box as this may damage the finish.
2. Proper cutting of APEX products, requires the use of a sharp continuous rim diamond tile blade.
3. Fasteners must be corrosion resistant and penetrate the stud at least 1-inch.
4. Always ensure the starter strip is level and water management clips have been installed.
5. Mark all studs prior to installation. Fastening through studs is necessary for best system performance.
6. Siding and starter strip must be fastened through factory applied water management clips and into the stud or sill plate.
7. Seams must be placed at a stud.
8. Seam flashing must be used for proper seam installation.
9. Ensure the back of the siding at seams is wiped free from dust, dirt or moisture before flashing adhesive is applied to ensure adhesion.
10. Fasteners at a seam flashing should be angled slightly up and toward butt edge to help maintain the interlock and tight seams.
11. Check each lap during installation for correct reveal height and ensure each lap is fully interlocked with the next.
12. It is not necessary to caulk seams or end butt joints.


**INSTALLER NOTE: For optimal seam appearance, laps may require piece selection to ensure best seam alignment.**




**PRODUCT MUST BE INSTALLED IN ACCORDANCE WITH APPLICABLE BUILDING CODES AND APEX SIDING SYSTEM INSTALLATION INSTRUCTIONS. FAILURE TO DO SO MAY VIOLATE LOCAL BUILDING CODES, AFFECT SYSTEM PERFORMANCE AND VOID THE PRODUCT WARRANTY.**

For a copy of our current MSDS, please visit [www.apexsiding.com](http://www.apexsiding.com)


**SIDING & STARTER STRIP**




9307 7" Lap Siding




9304 4" Lap Siding



9315 3-1/2" Starter Strip



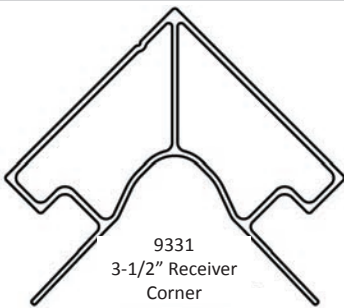
9325 1-1/2" Starter Strip



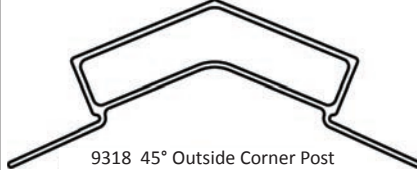
Water Management Clip

**NOTE:** Water management clips are pre-installed on siding and starter strip.

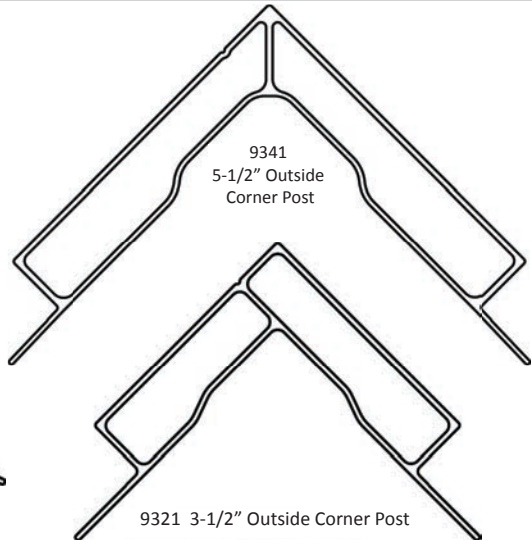
**OUTSIDE CORNERS**



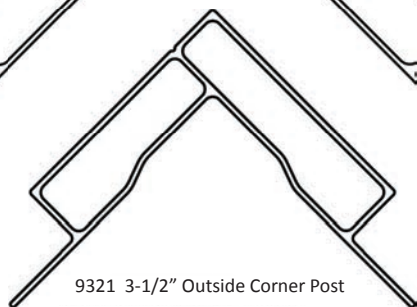
9331 3-1/2" Receiver Corner



9318 45° Outside Corner Post




9341 5-1/2" Outside Corner Post




9321 3-1/2" Outside Corner Post

**INSIDE CORNERS**

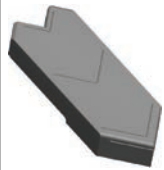


9312 Inside Corner




9319 45° Inside Corner

**CORNER KEYS**




3-1/2" Casing Corner Key

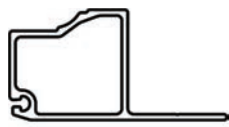


Brickmould Corner Key


**TRIM**



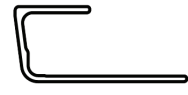
9313 3-1/2" Casing




9316 Brickmould




9334 Edge Trim



9324 Receiver Trim




9032 Simple Frieze/Belly Board




9317 Finish Trim

**SEAM FLASHING**




4" Seam Flashing




7" Seam Flashing


**ALIGNMENT KEYS**



5.5" Outside Corner Alignment Key




3.5" Outside Corner Alignment Key




3-1/2" Casing Alignment Key


**END CAPS**




5-1/2" Outside Corner End Cap




Receiver Corner End Cap




3-1/2" Outside Corner End Cap



3-1/2" Casing End Cap



45° Inside Corner End Cap



45° Outside Corner End Cap

## Frequently Asked Questions

### Q: Where do I need to use seam flashing?

A: Seam flashing must be used behind every siding seam. It can also be installed where support for non-APEX components is needed.

### Q: How much seam flashing will I need?

A: The quantity of seam flashing needed will vary due to house design and number of seams. Typically a good starting point is 2 bags of 10 for every square of 4" siding and 1 bag of 10 for every square of 7" siding.

### Q: How many end caps will I need for the corner posts?

A: You will need two end caps for every corner unless you are tying directly into a soffit.

### Q: What are the water management clips used for?

A: Siding:

Water management clips are factory applied to each lap of siding and starter strip. They hold the siding away from the house wrap to create the water management drainage and back ventilation plane. Water management clips are fastened through the siding and stud.

Finish Trim:

When using finish trim as a starter strip, water management clips must be installed to maintain the water management and back ventilation plane.

finish trim stud



Shimming:

Water management clips can be used in any application that

requires shimming. They can be used on nailing flanges where butyl tape and nailing fins cause uneven spaces around windows and doors.

### Q: Will I need to order extra water management clips?

A: Typically it is a good idea to have one extra bag (200/bag) of water management clips per 15 squares of siding. They also make excellent shims.

### Q: When will I need to use an alignment key?

A: An alignment key should be used when end joining casing or outside corner posts.

### Q: Does the siding need to be caulked?

A: The APEX Siding System is designed to be caulk free. Face caulking is not necessary for performance.

### Q: How should I clean the siding and components?

A: Remove installation related dust with an automotive car duster or micro-fiber cloth as siding is installed. Remove wet dust or heavier dirt with water and a mild detergent. Refer to the APEX Care and Maintenance guide for approved cleaners at [www.apexsiding.com](http://www.apexsiding.com)

### Q: Can APEX be installed over rigid foam board insulation?

A: Yes. However care should be taken to maintain the drainage plane. The APEX Installation tool is recommended for best results and to avoid over driving nails. Fasteners must also penetrate the stud a minimum of 1".



## List of Tools

Required Tools		Recommended/Optional Tools	
Sliding Compound Miter Saw (10" min.; 12" recommended)	Appropriate Length Corrosion-Resistant Fasteners	Cordless Drill	Ladder Mitten
Continuous Rim Diamond Tile Blades. DO NOT use a segmented (serrated) blade. See page 5 for image	High-Quality Utility Knife/Blades	Mini Grinder 7-1/4" Circular Saw	Safety Glasses
Metal Clippers/Snips	Levels (Torpedo, 4')	Pop Rivet Gun	Pop Rivets
Hammer	Screw Bit Set With Extensions	Speed Square	Dust Mask
Adhesive/Caulk Gun	Tape Measure	Gloves	
Rigid Construction Adhesive	Pneumatic Roofing Nailer/Air Supply		
Chalk Line	Automotive Car Duster		
APEX Installation Tool (over foam board)	Micro-fiber Cloths		

## Preparation



Do not begin installation until structure has been properly prepared according to local building codes. It is not recommended to install APEX siding over existing siding.

- Ensure stability when stacking boxes, crates and pallets.
- Do not stack crates or pallets more than 4 high.
- Weather-resistant barrier and proper opening treatments need to be installed according to the manufacturer's requirements and applicable building codes.
- Do not install over inadequate structural framing or over buckled or wet material.
- APEX is designed for best performance over 7/16" or greater sheathing.
- A level starter strip with water management clips must be used to begin every siding installation in order to maintain a proper drainage plane.

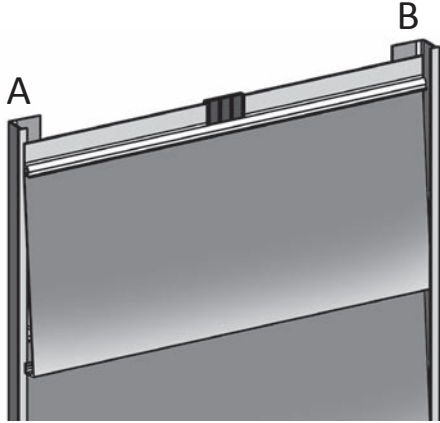


**Siding and components must be lifted out of the box. Do not slide out of box as this may damage the finish.**

## Quality Tips

### INSTALLATION BETWEEN EDGE TRIM

- Cut siding 1/4" longer than opening between the inside opening of the edge trim.
- Slide siding fully into side (B).
- Center between (A) & (B). Lift to interlock.
- Fasten through water management clips and on each end.



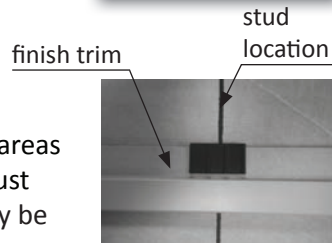
### FINISH TRIM OVER DECK BAND JOISTS

Use the proper flashing per local building codes over any deck band joist.



### USING FINISH TRIM AS A STARTER STRIP

- For improved aesthetics in areas where the heel of siding must be removed, finish trim may be



used as a starter strip in combination with water management clips to create the water management plane.

### MATCHING LAPS AROUND PORCHES AND BRICK



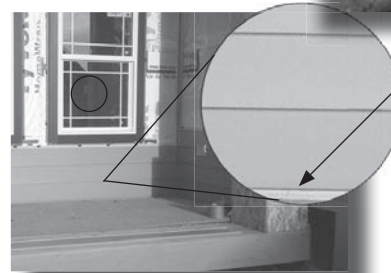
**A proper water management plane must be maintained when installing APEX Siding on-grade or in contact with other materials.**

- In cases where porches, overhangs or brick interfere with siding lap heights, remove the butt/heel of the siding and slide into finish trim to match the laps on adjacent walls of the structure.



**Water management clips must be used with the finish trim as you would for starter strip to maintain water management plane.**

Finish Trim  
Finish trim was used as a starter strip where the siding meets the brick.



Finish Trim  
Finish trim was used as a starter strip where the siding meets a porch.

## Cold Weather Tips

- Store seam flashing, paint pens and caulking in a temperature controlled area above 50° F.
- Keep seam flashing warm by placing in a coat pocket until ready to use.
- Do not expose flashing adhesive until ready to be applied.
- Ensure back of siding is clean and free of ice, frost, dirt and moisture.
- Once the protective film is removed, protect the surface of the adhesive from any snow, dust or dirt.
- Due to lower temperatures, additional pressure when installing seam flashing is required to activate adhesive.

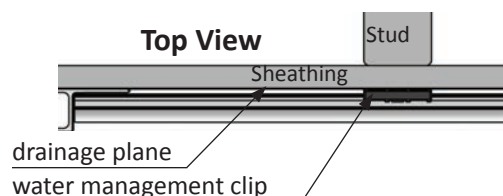
## Cleaning

- Micro-fiber cloths are recommended for cleaning the back of siding where seam flashing will be adhered and for light surface cleaning.
  - To remove loose dry dust use an automotive car duster.
  - Water mixed with a mild detergent is recommended for general cleaning. Apply with non-abrasive applicators or spray and rinse thoroughly with clear water. See the APEX Care and Maintenance guide for a list of approved cleaners.
  - Using clear water through a home use pressure washer also works well for general cleaning.
- NOTE:** Scrubbing with abrasives or applying extreme pressure can alter the finish.
- For more information on cleaning APEX siding and trim, consult the APEX Care and Maintenance guide available at [www.apexsiding.com](http://www.apexsiding.com).

## Water Management System

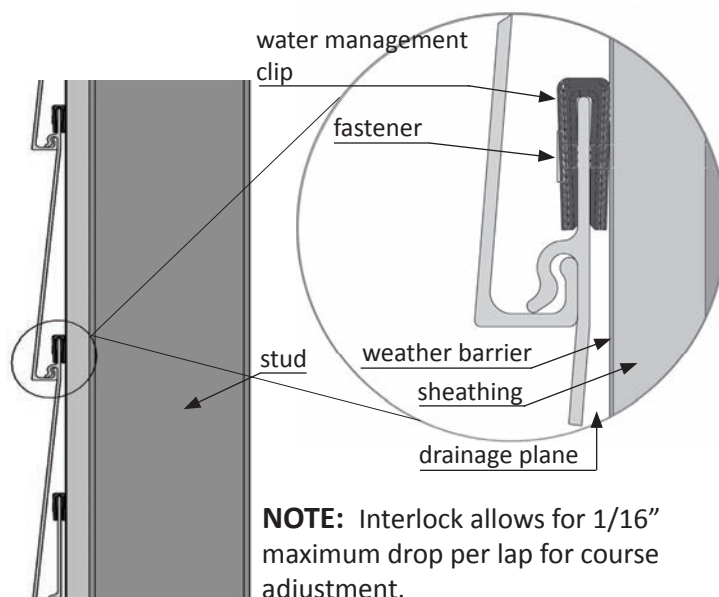
### WATER MANAGEMENT SYSTEM

When properly installed, the water management system creates an effective water drainage (rain screen) and ventilation plane.



**NOTE:** Water management clips should be used anywhere the water management plane must be maintained including lap side and starter strips.

**!** When installing over foam products take extra care to maintain the drainage plane. Adjust pressure accordingly to avoid over driving nails.



**NOTE:** Interlock allows for 1/16" maximum drop per lap for course adjustment.

## Cutting & Fastening

### CUTTING

**!** Proper cutting of siding and trim components requires the use of a sharp continuous rim diamond tile blade. This will produce the highest quality cuts and the lowest cost per cut. Dull blades should not be used to cut APEX products.

- With proper care, high quality blades will have a long service life that can exceed 100 to 200 squares. Improperly cared for blades will prematurely dull and should not be used.
- Diamond cut-off wheels should be used in hand held grinders for detail cuts.
- Siding may need to be trimmed horizontally when installing the final lap or for cut-outs around windows and doors.

*Siding can be scored along the horizontal direction of the siding with a sharp utility blade and broke similar to gypsum board.*



- 7-1/4" circular saw also works well for ripping siding.

### FASTENING

**!** Fasteners must be corrosion resistant and fastened through factory applied water management clips.

- Siding and trim components should be hand or pneumatically hard fastened to the structure.
- Fasteners should penetrate through the sheathing and into the wood stud a minimum of 1-inch for best installation practices.
- Steel structures with sheathing overlay: Use #8 or greater exterior grade self tapping screws that penetrate the steel stud a minimum of 1/2-inch.
- When installing over SIP/ICF panels use screws or ring shank fasteners.
- Starter strips must be fastened through factory applied water management clips and into the stud or sill plate.
- Trim components should be nailed through the trim nailing fin and sheathing and into the stud. Trim components installed vertically do not require water management clips.
- Maintain a minimum distance of 1/4" from the nail shank to the outer edge of the siding or trim nailing fin.

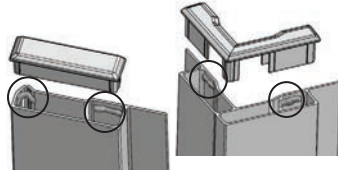
**!** Due to extremely low thermal expansion and contraction, (similar to pine & fir in length), joints and seams should abut, not gap or be forced.

## Trim, Casings, Corners & Caps

### INSTALLING END CAPS

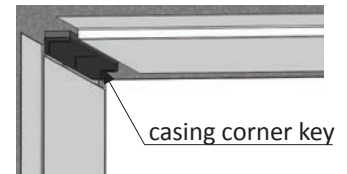
Prior to installing trim, you will need to attach end caps to trim. End caps will fit into either end of their respective trim profile.

- Apply an adequate amount of rigid construction adhesive to the inside of the trim before inserting the end cap.
- Once end caps have been installed, fasten the trim components to the structure using attached nailing fin.



**NOTE:** Water management clips are not necessary on

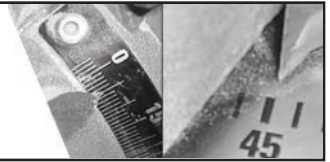
vertical trim components, however they may be used when the application requires shimming.



### MITERING CASING

**NOTE:** Corner keys should be used when aligning 45° miters on casing and brickmould.

*When mitering casings, back-cut the 45 degree miter at 5 degrees on one side for a tight fit.*



- Make certain that all trim is installed level.

## Alignment Keys & Trim

When end-joining outside corners and casing, an alignment key must be used to ensure proper alignment of the joining pieces. For best joints, butt factory cuts to factory cuts.

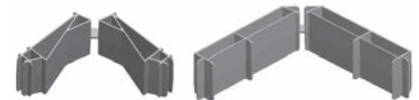
### CASING

- Use the alignment key as a guide to mark the tab location on one of the parts to be aligned.
- Use a grinder, saw or snips to notch out the wall where the notch will rest.
- Insert the alignment key and push the two parts over the key until properly aligned.
- Place the parts together against the structure where the part will be installed.
- Plumb and fasten in place.



### OUTSIDE CORNERS

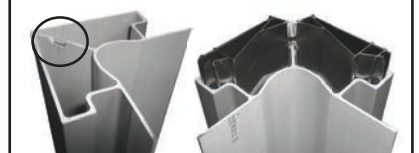
- Place the outside corner alignment key into one of the parts to be aligned.
- Mark the area where the middle of the key hits the inside of the corner.
- Use a grinder, saw or snips to notch out the wall where the key will rest.
- Place the other part over the key until properly aligned.
- Plumb and fasten in place.



3-1/2" OUTSIDE CORNER POST



3-1/2" RECEIVER CORNER



5-1/2" OUTSIDE CORNER POST



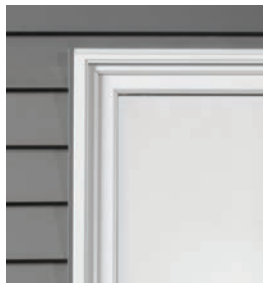
## Edge Trim

Edge trim is recommended for optimal aesthetics around windows and doors to conceal tear off paint, caulk and mortar with minimal overlap of adjacent siding.

### WINDOWS & DOORS

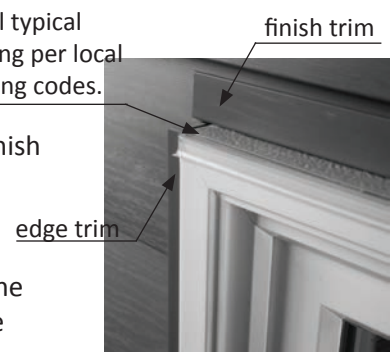
For best aesthetics and ease of installation, install finish trim along the header and sill of the window or door and install the edge trim along the jambs.

- Cut two pieces of edge trim the same height as the window.
- Fasten in place along the jambs of the window.



- Follow guidelines on page 8 for proper installation of finish trim over the window.
- Use a color matched paint pen to touch up the exposed cut ends of the trim.

Install typical flashing per local building codes.



**NOTE:** Face caulking is *not necessary* for performance.



## Starter Strip & Stud Marking

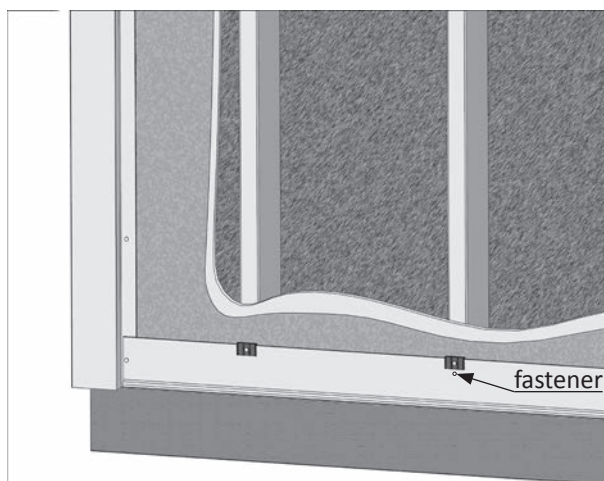
### MARK THE STUDS

Prior to installing the starter strip ensure the studs are accurately marked.



### STANDARD STARTER STRIP INSTALLATION

Once all trim has been installed, you can then begin installing the siding. Begin with the starter strip.



**!** Ensure that the starter strip is level and the water management clips are in place at every stud.

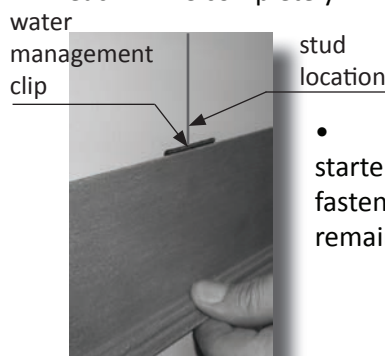
- Fasten starter strip through the water management clips and into the stud or sill plate a minimum of 1-inch.

**NOTE:** When installing 3-1/2" starter strip, nail directly below the WMC on every other stud for additional support (see image on left).

### ALTERNATIVE STARTER STRIP INSTALLATION

1-1/2-inch starter strip is designed for use with 4-inch siding. However, if you are installing 4-inch siding below the sheathing you can use the 3-1/2" starter strip as follows.

- Slightly bend the legs of the water management clip outwards.
- Using tin snips cut each WMC completely in half.

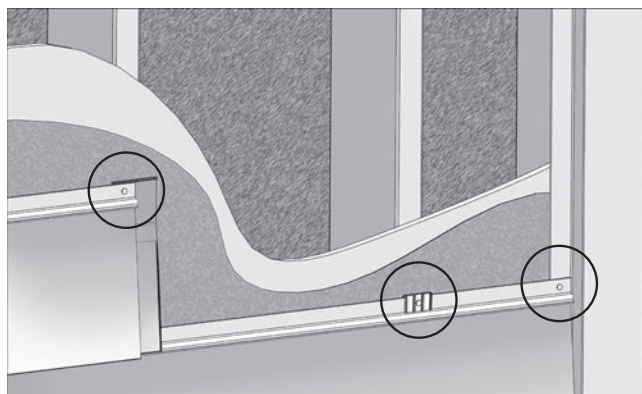


- Place behind the 3-1/2" starter strip at every stud and fasten ensuring the starter strip remains level.

## Installing the First Lap

Once you have marked the studs, installed starter strip, corners and window trim, you can begin installing the siding.

- Install the first lap of siding by firmly lifting up on the butt of the siding to ensure that the entire piece is interlocked with the starter strip.
- Slide a water management clip to the location of the stud and fasten through clip, siding, and sheathing into the stud.



- Siding needs to be fastened through the water management clips to all possible studs. Water management clips are not necessary when fastening through trim nailing fins or over seam flashings.
- Continue installing each lap of siding ensuring each piece is interlocked with the previous lap.

**NOTE:** Seams on adjacent rows should not be aligned. The seams should be staggered a minimum of three courses in height and 32" in width. Avoid placing seams above windows and doors.

**!** See steps on following page for proper seam assembly.

**NOTE:** Seam flashing or blocking can be installed where support for non-APEX components is needed, i.e. doorbell button.

**!** Due to extremely low thermal expansion and contraction (similar to pine & fir in length), joints and seams should abut, not gap or be forced.

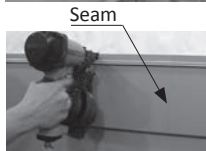
## Seam Flashing

Seam flashing must be used behind every siding seam. Best seams will be factory to factory cuts. When making site cuts, ensure both seam cuts are made with the same saw with the same orientation, (saws may be off angle, however if the parts are cut on the same saw, the angles should match up).



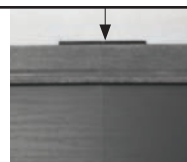
**For adequate contact of the flashing adhesive, the back of each piece of siding at the seam *must* be wiped clean.**

- Dry assemble the seam to achieve optimal seam appearance before fastening laps.
- Fasten the first lap everywhere but the seam end. Align the second lap at the seam and fasten everywhere but the seam end. This will allow for flexibility when installing the seam flashing. Angle fastener slightly up and towards seam for a tight lock.



- Remove the protective film from the adhesive.
- Pull both laps away from sheathing and slide the seam flashing behind the two laps so it is centered on the seam.
- Align the top of the seam flashing with the siding.

*Use the divot at the top of the seam flashing as a guide to centering.*



- Fasten through seam flashing and press firmly on the siding for proper adhesion of the flashing tape.



**Avoid rubbing the seams as this may alter the sheen.**

- Due to the structural rigidity of APEX siding, fasteners should be slightly “toed-in” towards each seam to maintain seam integrity.



**Due to extremely low thermal expansion and contraction, (similar to pine & fir in length), joints and seams should abut, not gap or be forced.**

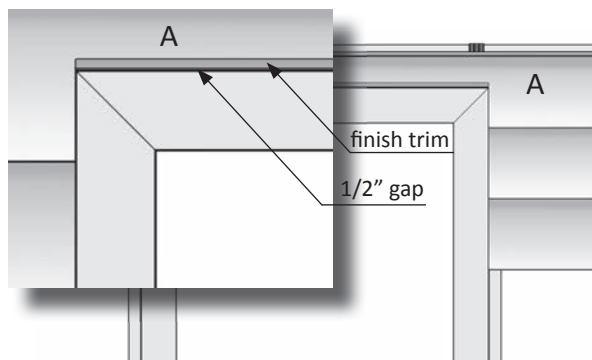


**Seams must be placed at a stud.**

## Installing Siding Around Doors and Windows

### ABOVE WINDOWS AND DOORS

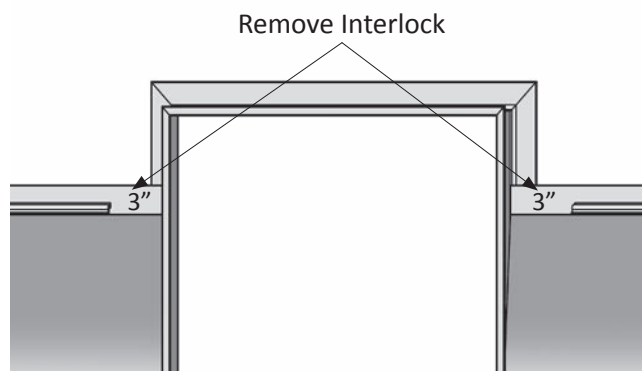
- A 1/2” gap will allow part (A) to be interlocked with the lap below it.
- Finish trim can be installed on part (A) before it is put on the wall, then the finish trim can be pulled down to conceal the 1/2” gap.



**NOTE:** If finish trim is not being used, gap can be as small as 3/8”.

### INTEGRATED RECEIVER CHANNEL, EDGE OR RECEIVER TRIM

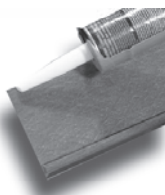
When a door or window has an integrated receiver channel or APEX edge or receiver trim has been installed, 3- inches of the interlock on the siding on each side of the window or door must be removed to provide proper clearance for the siding.



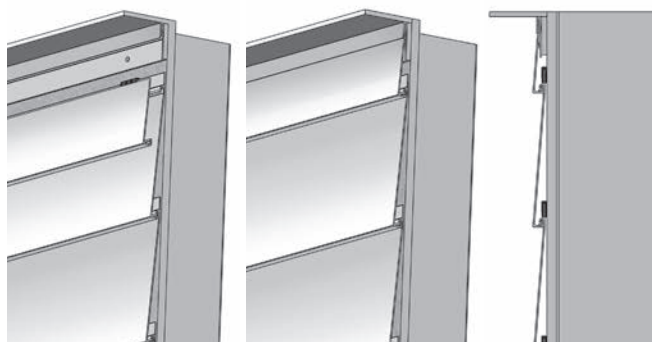
## Installing the Final Lap

The last piece of siding will include a piece of finish trim and a trimmed lap of siding.

- Fasten finish trim to top of sheathing. It may be necessary to install a furring strip for proper angle of the reveal.
- Trim the siding lengthwise to achieve the appropriate height for the last piece. Ensure the lap is wide enough to reach the pinch points of the finish trim. See page 3 for proper cutting techniques.
- Apply construction adhesive to the back-side along the top of the final (ripped) piece of siding and insert into finish trim a minimum of 1/2-inch.



**Rigid construction adhesive or fastener must be used to install the last lap.**



## Installation Over Rigid Foam Board

Use the APEX installation tool when installing over rigid foam board. The tool will distribute the load of the nail impact to maintain the drainage cavity. For best installation practices do not install APEX siding over non-rigid foam products.

- Place the tool so the flat prongs are on each side of the water management clips or seam flashing and behind the siding nailing fin. Fasten securely.
- Nails must penetrate studs at least 1- inch.



**When installing over rigid foam board take extra care to maintain the drainage cavity. Adjust pressure accordingly to avoid over driving nails.**

*The siding installation tool can also be used to tap the siding for a good interlock. Inch marks on the side of the tool are for assisting with proper interlock of the siding.*

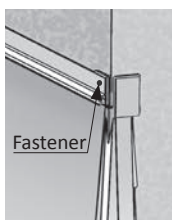


## Individual Outside Corner & Gables

### 7" INDIVIDUAL OUTSIDE CORNER



- The individual outside corner support needs to be installed as the siding goes up (height alignment of siding from wall to wall is critical for proper corner installation).
- Siding must be cut  $3/8'' \pm 1/8''$  short of the corner for proper alignment.

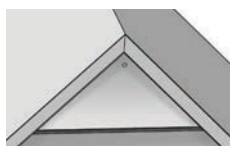


- Align siding first, then slide support in.
- NOTE:** Support should be flush with the top of the siding.
- Fasten through siding and corner support.

- When installing the last corner support and cap, you will need to trim it accordingly and mechanically fasten.
- Apply rigid construction adhesive to the back of each cap and snap into place from bottom to top.



### GABLE



- Use one fastener to mechanically secure the final piece of siding in a gable peak.
- Use a color matched APEX paint pen to paint the head of the fastener.

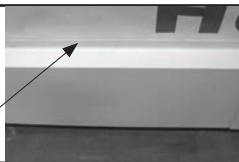
## Simple Frieze Applications

### SIMPLE FRIEZE & WATER TABLE

- Flashing should be inserted over the top of the cut edge of water table.

*Channel is trimmed for this application.*

Trimmed Channel



- Rivets can be used on the top or side of cap.

*The frieze/belly board cap has two "snap on" connection flanges on the bottom of cap as shown.*



**NOTE:** For other applications bottom rivets may also be used.



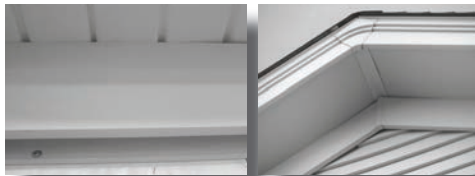
- Before installing the end cap, the frieze should be brought as close to the end of the structure as possible for the caps to fit properly.
- Placement of rivets can be along the top of the cap or the face. They should be installed parallel to one another for aesthetic purposes.
- Flanges should snap around into the bottom of the frieze.

### SIMPLE FRIEZE & SOFFIT

- Insert soffit into channel of frieze.

### SIMPLE FRIEZE & GABLE RAKE

- Insert soffit into channel of frieze.



### SIMPLE FRIEZE CORNER CAP

- Mitering makes for a better area for rivet placement.

*When joining two simple frieze at a corner, you can either square the ends or miter them prior to installing the corner cap.*

